

DIVER 6

6" MULTI-IMPELLER SUBMERSIBLE ELECTRIC PUMPS



TECHNICAL DATA

Operating range: from 1 to 5,4 m³/h with head up to 46 metres.

Pumped liquid: clean, free of solids and abrasives, non-aggressive.

Liquid temperature range: from 0 °C to +35 °C.

Max. immersion depth: 12 metres.

Motor protection class: IP 68.

Motor protection rating: F.

Installation: fixed or portable, vertical position.

Operation: manual or automatic with float switch (continuous duty with totally submerged pump).

Discharge port diameter: 1".

Pump maximum diameter: 150 mm.

APPLICATIONS

Multi-impeller submersible pumps ideal for use in rain water systems and watering networks, to pump water from cisterns, ponds, and wells, and for other applications requiring high pressure. Available with 2, 3, or 4 impellers.

Suitable for pumping clean waters.

Very efficient motor cooling, allowing the pump to also be used only partially submerged. Automatic version with float switch for automatic pump start and stop. Fitted with power supply cable with plug, non return valve and 4-level connector.

CONSTRUCTION FEATURES OF THE PUMP

Corrosion and oxidation resistant material. Stainless steel debris strainer.

CONSTRUCTION FEATURES OF THE MOTOR

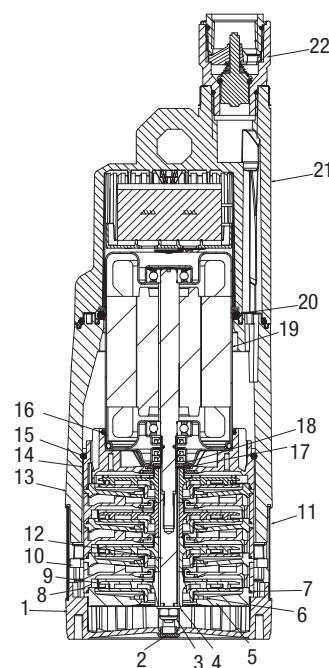
Submersible type continuous duty asynchronous motor.

Thermal overheating protection.

Wear-resistant motor shaft.

MATERIALS

N.	PARTS	MATERIALS
1	BASE	TECHNOPOLYMER
2	PLUG	TECHNOPOLYMER
3	NUT	A2 UNI 7474 STAINLESS STEEL
4	WASHER	A2 STAINLESS STEEL
5	FINAL DIFFUSER CAP	TECHNOPOLYMER
6	THRUST RING	TECHNOPOLYMER
7	OR RING	NBR
8	DIFFUSER	TECHNOPOLYMER
9	IMPELLER	TECHNOPOLYMER/AISI 304 STAINLESS STEEL
10	SPACER	TECHNOPOLYMER
11	STRAINER RING	AISI 304 STAINLESS STEEL
12	SHAFT	AISI 303 STAINLESS STEEL
13	BODY	TECHNOPOLYMER
14	DIFFUSER SUPPORT	TECHNOPOLYMER
15	OR RING	NBR
16	OR RING	NBR
17	WASHER	A2 STAINLESS STEEL
18	WASHER	A2 STAINLESS STEEL
19	MOTOR	CASE ALUMINIUM
		ROTOR SHAFT AISI 416 STAINLESS STEEL
20	OR RING	NBR
21	COVER	TECHNOPOLYMER
22	NON-RETURN VALVE	TECHNOPOLYMER/NBR/AISI 302 STAINLESS STEEL



DIVER 6

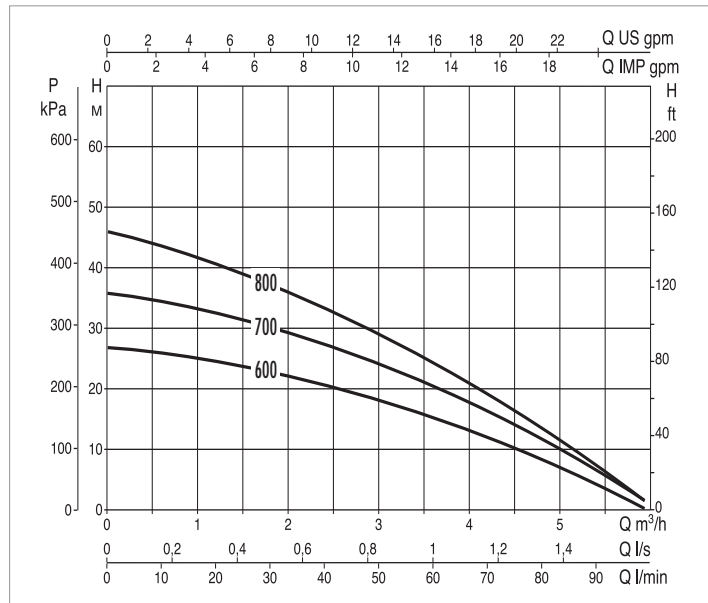
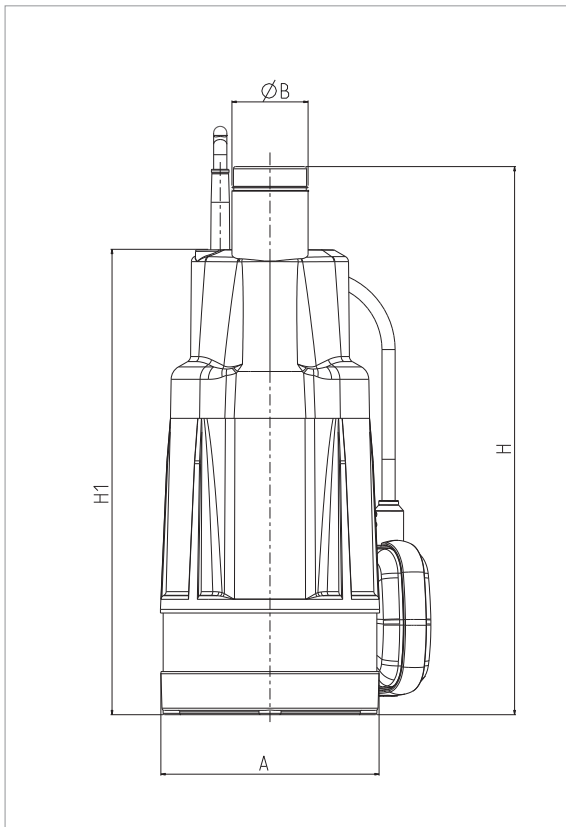
6" MULTI-IMPELLER SUBMERSIBLE ELECTRIC PUMPS

PERFORMANCE AT 50 Hz

MODEL	ELECTRICAL DATA		HYDRAULIC DATA								
	P2 NOMINAL		Q=m³/h	0	0,9	1,8	2,7	3,6	4,5	5,1	5,4
	kW	HP	Q=l/min	0	15	30	45	60	75	85	90
DIVER 6 - 600 M-A	0,55	0,75	H (m)	24	22	19,5	16,2	12,5	7,5	3,7	1,5
DIVER 6 - 700 M-A	0,65	0,88		36	32,6	28,5	23,6	17	9,5	4,6	1,8
DIVER 6 - 800 M-A	0,75	1		46	41	35,5	29,2	21,8	13,5	7,8	3,5

ELECTRICAL DATA AND DIMENSIONS

MODEL	ELECTRICAL DATA					A	Ø B	H	H1	Ø	PACKING DIMENSIONS			PACKING VOLUME m³	Q.TY X PALLET	WEIGHT kg
	POWER INPUT 50 Hz	P1 kW	P2 NOMINAL		In A						L/A	L/B	H			
			kW	HP												
DIVER 6 - 600 M-A	1x230 V~	750	0,55	0,75	3	150	52	350	293	1"	232	192	456	0,02	40	7,5
DIVER 6 - 700 M-A	1x230 V~	900	0,65	0,88	3,8	150	52	375	318	1"	232	192	456	0,02	40	8,7
DIVER 6 - 800 M-A	1x230 V~	1100	0,75	1	4,8	150	52	400	343	1"	232	192	456	0,02	40	9



The performance curves are based on kinematic viscosity values = 1 mm²/s and density equivalent to 1000 kg/m³. Curve tolerance according to ISO 9906.

McGrp.Ru



Сайт техники и электроники

Наш сайт McGrp.Ru при этом не является просто хранилищем [инструкций по эксплуатации](#), это живое сообщество людей. Они общаются на форуме, задают вопросы о способах и особенностях использования техники. На все вопросы очень быстро находят ответы от таких же посетителей сайта, экспертов или администраторов. Вопрос можно задать как на форуме, так и в специальной форме на странице, где описывается интересующая вас техника.