

Society  
Reference  
Address  
Phone  
Fax  
E-mail

DABSHOP.RU  
Kakaev, Pavel  
Pavlovskaya  
+7 495 212-90-35  
-  
kakaev@imperiatools.ru

60173607

KI 30/120 T IE2

MEI ≥ 0,40

8 bar (800 kPa)

-10 °C

90 °C

40 °C

0,00 m<sup>3</sup>/h

0,00 m

20 °C

0,99819 kg/dm<sup>3</sup>

1,0004 mm<sup>2</sup>/s

2,20 kPa

NPSH :

Shaft power P2 :

Efficiency :

/

AISI 304 X5 Cr Ni 1810 UNI 6900/71

AISI 304 X5 Cr Ni 1810 UNI 6900/71

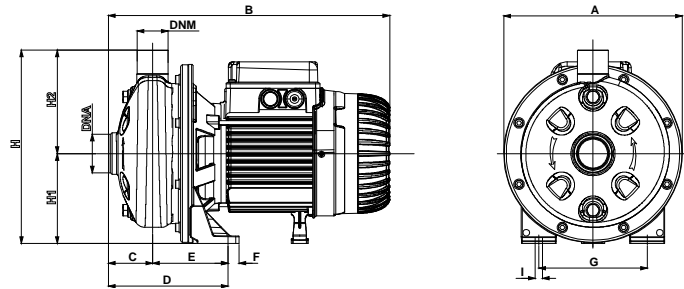
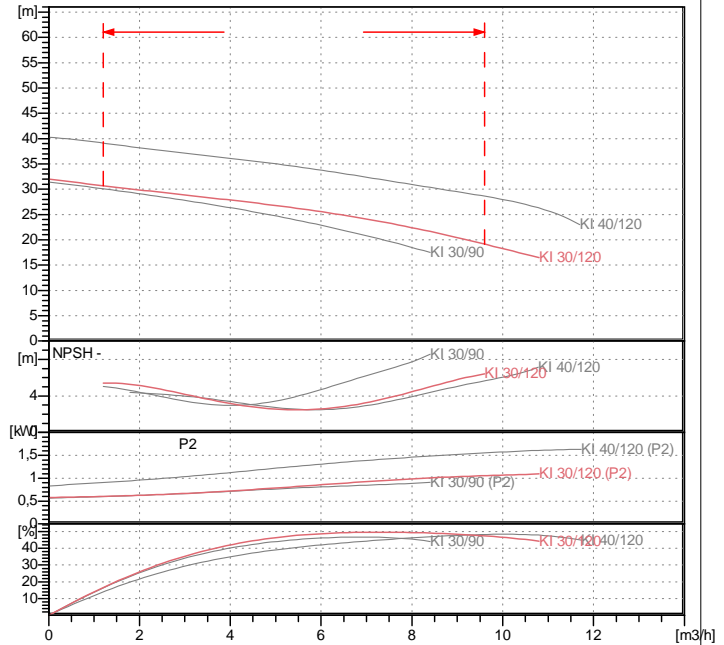
Carbon/Ceramic/NBR

AISI 304

NBR

AISI 303 X10 CrNiS 1809 UNI 6900/71

Curve tolerance according to ISO 9906



13,8 kg

mm

DAB  
2: 1 kW  
2800 1/min  
3~ 230 V / 400 V 50 Hz  
5 / 2,9 A  
IP 55

A	214	IO	9
B	354		
C	53		
D	143,5		
DNA	1"1/4 G		
DNM	1" G		
E	90,5		
F	13		
G	130		
H	232		
H1	108		
H2	124		

:

1 " 1/4 G/ 8 bar (800 kPa)

1 " G / 8 bar (800 kPa)



03/12/18

2 / 3

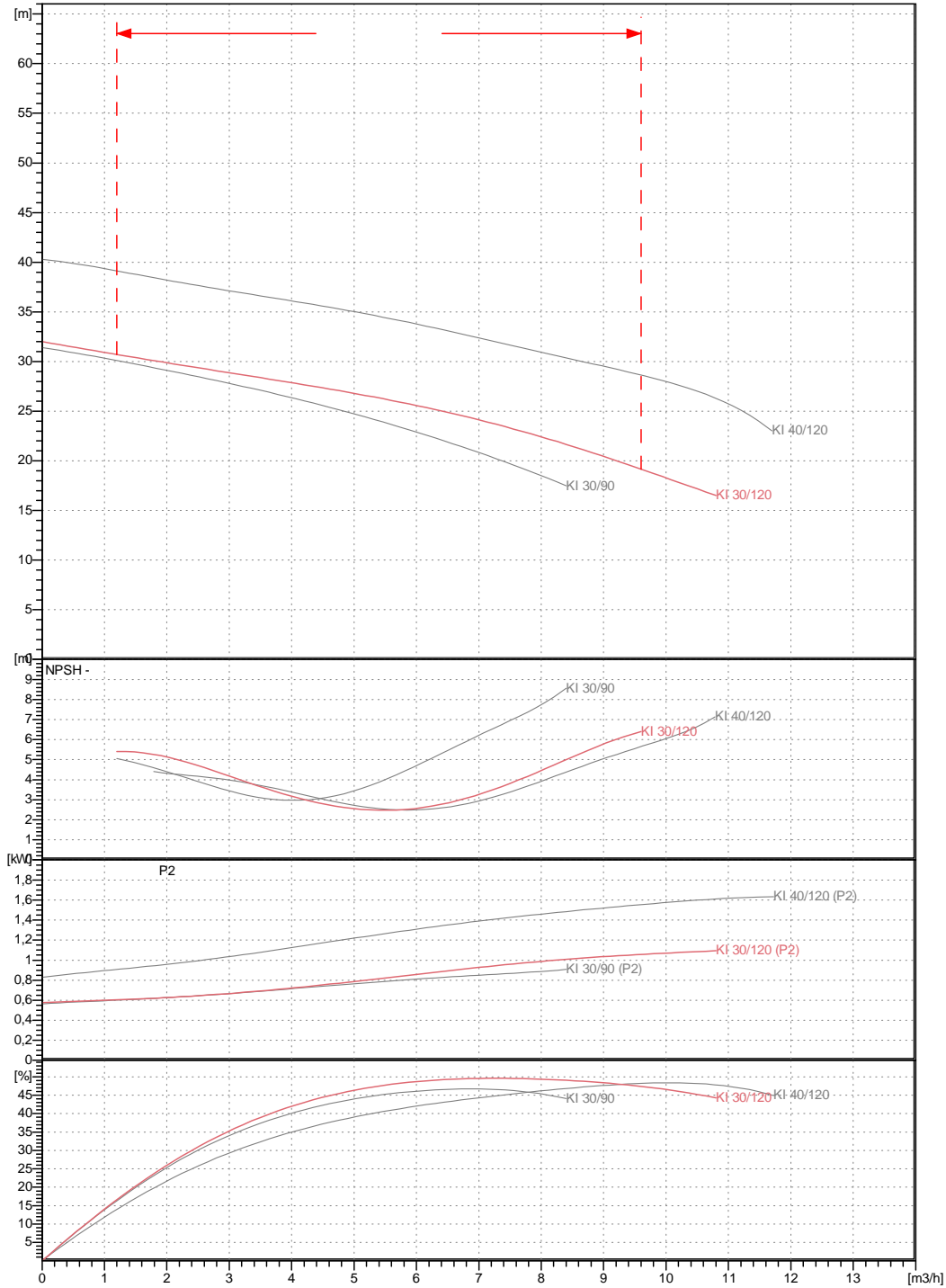
DAB PUMPS S.p.A.  
Via Marco Polo, 14 - 35035 Mestrino (PD), Italy  
Tel. +39 049 5125000 - Fax +39 049 5125950  
www.dabpumps.com

Society  
Reference  
Address  
Phone  
Fax  
E-mail

DABSHOP.RU  
Kakaev, Pavel  
Pavlovskaya  
+7 495 212-90-35  
-  
kakaev@imperiatools.ru

**KI 30/120 TIE2**

Curve tolerance according to ISO 9906



1 " 1/4 G  
8 bar (800 kPa)

1 " G  
8 bar (800 kPa)

0 m³/h

0 m

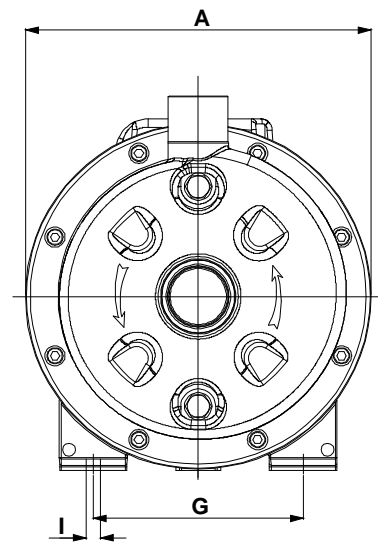
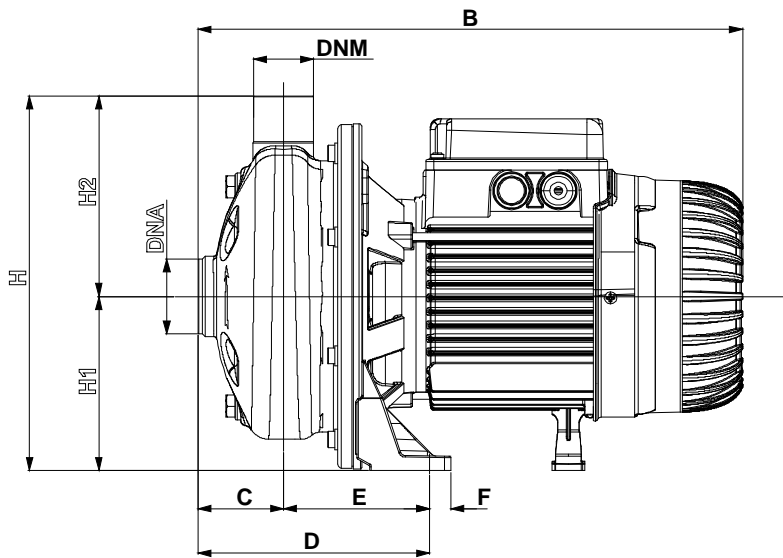
2800 1/min

03/12/18

Society  
Reference  
Address  
Phone  
Fax  
E-mail

DABSHOP.RU  
Kakaev, Pavel  
Pavlovskaya  
+7 495 212-90-35  
-  
kakaev@imperiatools.ru

**KI 30/120 T IE2**



mm							
1	A	214	H1	108			
2	B	354	H2	124			
3	C	53	IO	9			1 " 1/4 G
4	D	143,5					8 bar (800 kPa)
5	DNA	1"1/4 G					
6	DNM	1" G					
7	E	90,5					1 " G
8	F	13					8 bar (800 kPa)
9	G	130					
10	H	232					