

Society  
Reference  
Address  
Phone  
Fax  
E-mail

DABSHOP.RU  
Kakaev, Pavel  
Pavlovskaya  
+7 495 212-90-35  
-  
kakaev@imperiatools.ru

60161482.

K 30/15 HA

4 bar (400 KPa)

0 °C

100 °C

55 °C

0,00 m<sup>3</sup>/h

0,00 m

20 °C

0,99819 kg/dm<sup>3</sup>

1,0004 mm<sup>2</sup>/s

2,20 kPa

NPSH :

Shaft power P2 :

Efficiency :

/

Cast iron with cataphoresis

Cast iron with cataphoresis

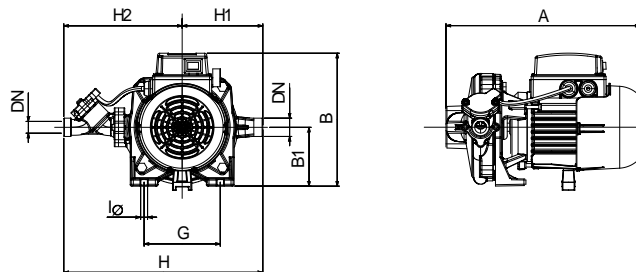
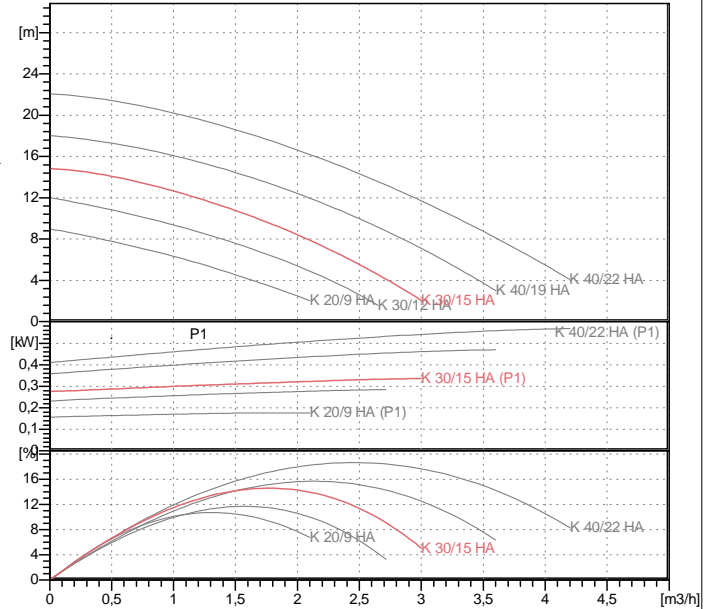
B

/

NBR

AISI 416 X12 CrS 13 UNI 6900/71

Curve tolerance according to ISO 9906



7,9 kg

mm

DAB

P1 0,34 kW

2800 1/min

1~ 220-230 V 50 Hz

1,5 A

IP 44

:

3/4" G / 4 bar (400 KPa)

3/4" G / 4 bar (400 KPa)

A  
B  
B1  
DN  
G  
H  
H1  
H2  
IO

282  
192  
85  
3/4" G  
110  
287,5  
116,5  
171  
9,5



11/12/18

2 / 3

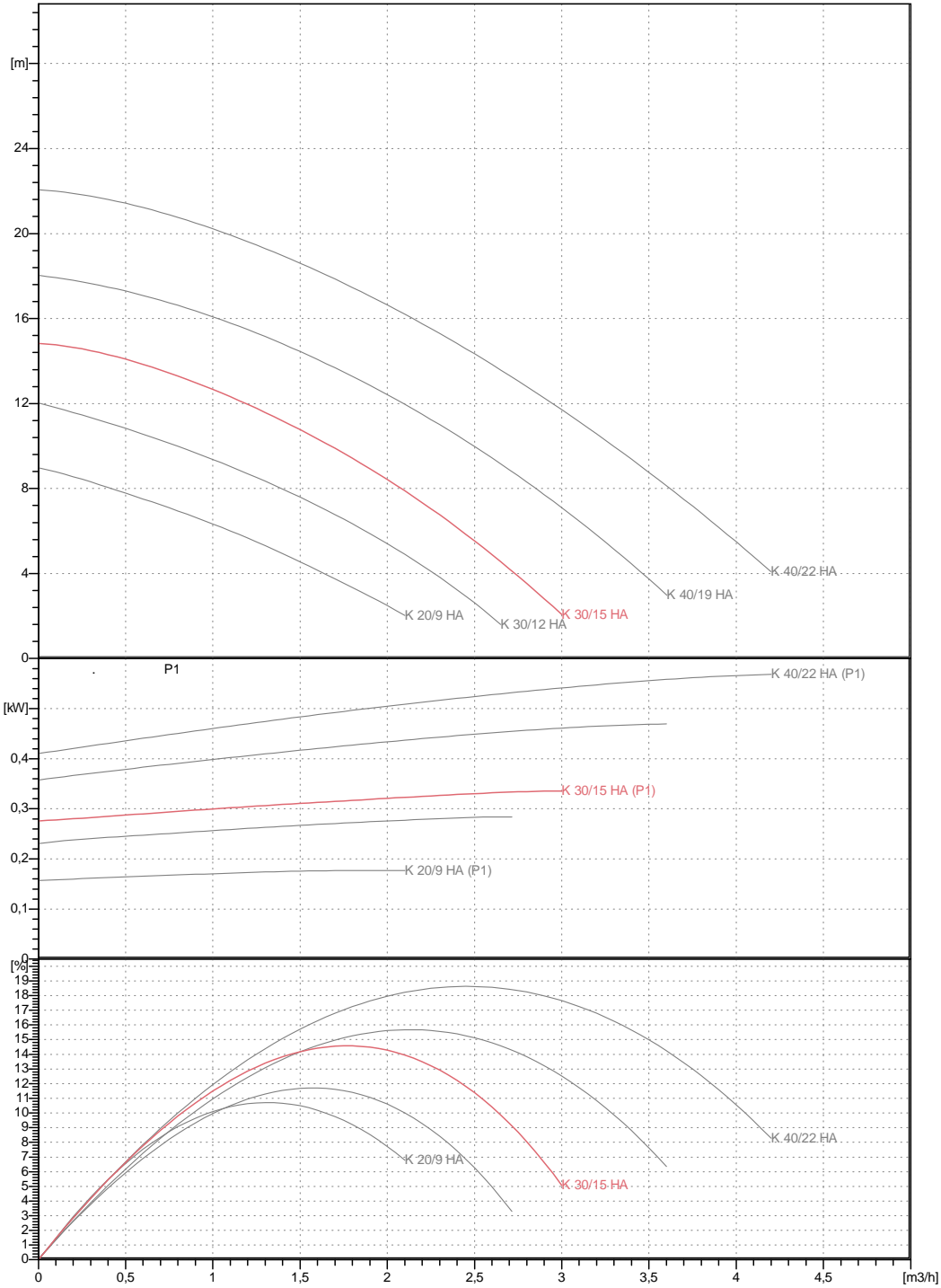
DAB PUMPS S.p.A.  
Via Marco Polo, 14 - 35035 Mestrino (PD), Italy  
Tel. +39 049 5125000 - Fax +39 049 5125950  
www.dabpumps.com

Society  
Reference  
Address  
Phone  
Fax  
E-mail

DABSHOP.RU  
Kakaev, Pavel  
Pavlovskaya  
+7 495 212-90-35  
-  
kakaev@imperiatools.ru

**K 30/15 HA**

Curve tolerance according to ISO 9906



3/4" G  
4 bar (400 KPa)

3/4" G  
4 bar (400 KPa)

0 m³/h

0 m

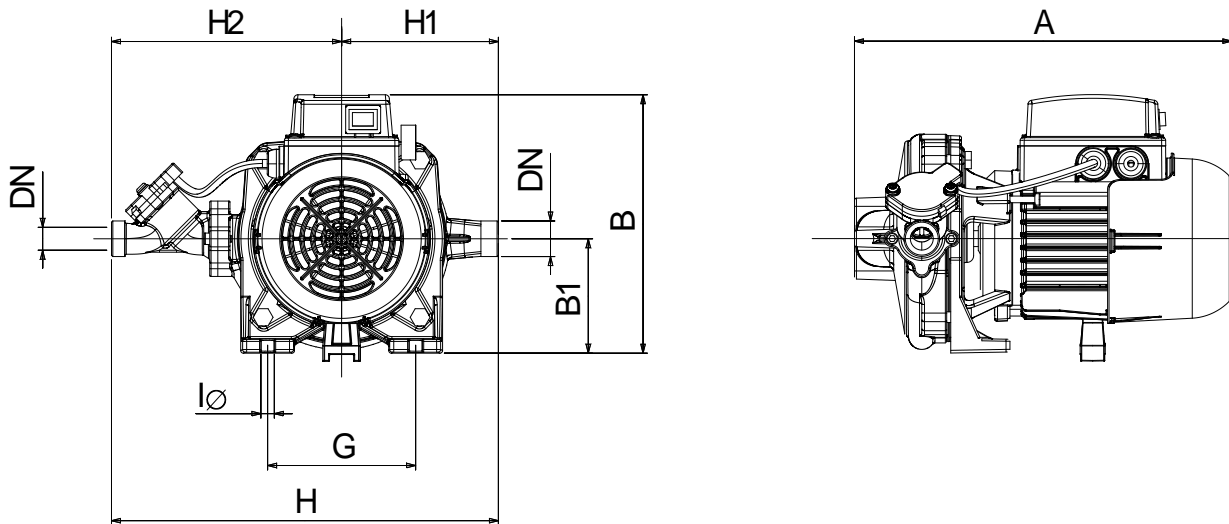
2800 1/min

11/12/18

Society  
Reference  
Address  
Phone  
Fax  
E-mail

DABSHOP.RU  
Kakaev, Pavel  
Pavlovskaya  
+7 495 212-90-35  
-  
kakaev@imperiatools.ru

**K 30/15 HA**



		mm					:
1	A	282					:
2	B	192					:
3	B1	85				3/4" G	
4	DN	3/4" G				4 bar (400 KPa)	
5	G	110				:	
6	H	287,5				3/4" G	
7	H1	116,5				4 bar (400 KPa)	
8	H2	171					
9	IO	9,5					